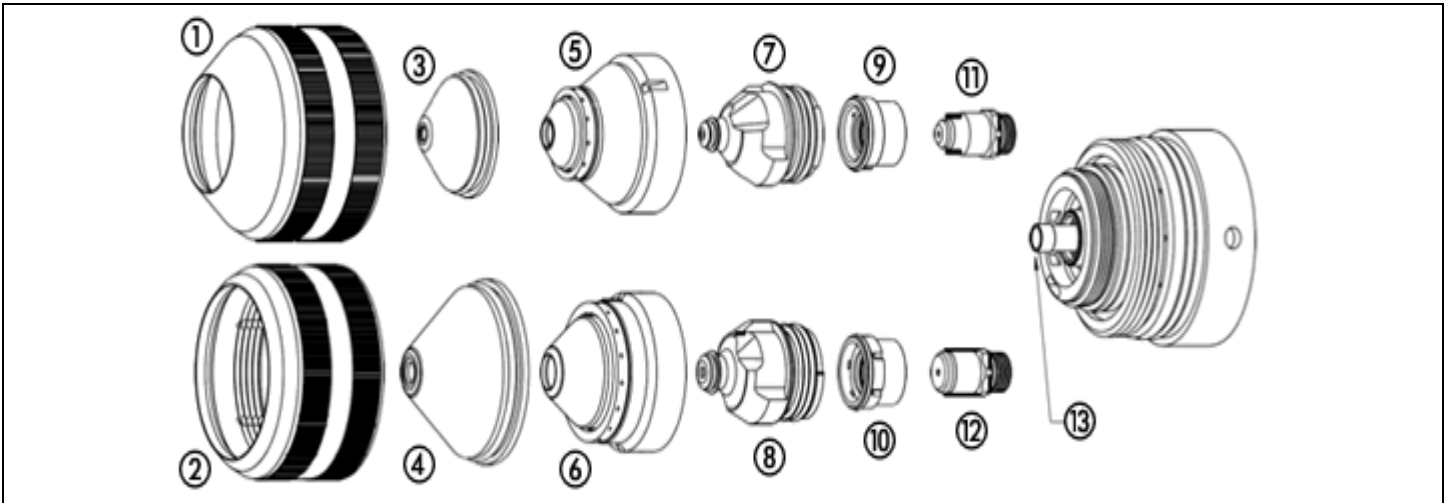


ProductLine: PerCut 450M
System: HiFocus® Systems

Date: Dec-11-2015



Consumables					
#	PartNo	Reference	Description	Pkg Qty	UOM
1	C124-081	.11.848.201.081	Protection Cap, G501	1	EA
2	C124-1081	.11.848.401.081	Protection Cap, G521	1	EA
	K124-515	.11.848.201.1515	Swirl Gas Cap, 25 Amp, G4015	5	EA
3	C124-520	.11.848.201.1520	Swirl Gas Cap, 60 AMP, G4020	1	EA
	C124-525	.11.848.201.1525	Swirl Gas Cap, 90-130 AMP, G4025	1	EA
	C124-530	.11.848.201.1530	Swirl Gas Cap, 90-200 AMP, G4030	1	EA
	C124-535	.11.848.201.1535	Swirl Gas Cap, 200 Amp, G4035	1	EA
	C124-540	.11.848.201.1540	Swirl Gas Cap, 200 Amp, G4040	1	EA
4	C124-550	.11.848.401.1550	Swirl Gas Cap, 280-360 Amp, G4350	1	EA
	C124-555	.11.848.401.1555	Swirl Gas Cap, 360 Amp, G4355	1	EA
	K124-604	.11.848.201.1604	Nozzle Cap, 25-35 Amp, G3004	1	EA
5	C124-628	.11.848.201.1628	Nozzle Cap, 60-200 Amp, G3028	1	EA
6	C124-649	.11.848.401.1649	Nozzle Cap, 280 AMP, G3249	1	EA
	C124-619	.11.848.401.1619	Nozzle Cap, 280-360 AMP, G3219	1	EA
	C124-609	.11.848.401.1609	Nozzle Cap, 360 AMP, G3209	1	EA
	C124-629	.11.848.401.1629	Nozzle Cap, 360 AMP, G3229	1	EA
	K124-406	.11.848.221.406	Nozzle, 25 Amp, G2006Y	10	EA

Consumables					
#	PartNo	Reference	Description	Pkg Qty	UOM
	K124-407	.11.848.221.407	Nozzle, 35 Amp, G2007Y	10	EA
7	C124-408	.11.848.221.408	Nozzle, CoolFlow™, 60 Amp, G2008Y	5	EA
	C124-410	.11.848.221.410	Nozzle, CoolFlow™, 90 Amp, G2010Y	5	EA
	C124-412	.11.848.221.412	Nozzle, CoolFlow™, 130 Amp, G2012Y	5	EA
	C124-414	.11.848.221.414	Nozzle, CoolFlow™, 160 Amp, G2014Y	5	EA
	C124-417	.11.848.221.417	Nozzle, CoolFlow™, 200 Amp, G2017Y	5	EA
8	C124-426	.11.848.421.426	Nozzle, CoolFlow™, 280 Amp, G2326Y	5	EA
	C124-430	.11.848.421.430	Nozzle, CoolFlow™, 360 Amp, G2330Y	5	EA
	C124-431	.11.848.421.431	Nozzle, CoolFlow™, 400 Amp, G2331Y	5	EA
9	C124-145	.11.848.221.145	Gas Guide, G101	1	EA
	C124-146	.11.848.221.146	Gas Guide, G102	1	EA
10	C124-045	.11.848.421.145	Gas Guide, G121	1	EA
11	C124-1000	.11.848.221.300	Electrode, SilverLine®, G002Y	1	EA
12	C124-1010	.11.848.421.310	Electrode, SilverLine®, 280A, G032Y	1	EA
	C124-1030	.11.848.421.330	Electrode, SilverLine®, 360A, G034Y	1	EA
13	C124-142	.11.848.201.142	Cooling Tube, G901Y	1	EA
	C124-042	.11.848.401.142	Cooling Tube, G931Y	1	EA